

# OP Amp Application (H.2)

20170223

Copyright (c) 2016 - 2017 Young W. Lim.

Permission is granted to copy, distribute and/or modify this document under the terms of the GNU Free Documentation License, Version 1.2 or any later version published by the Free Software Foundation; with no Invariant Sections, no Front-Cover Texts, and no Back-Cover Texts. A copy of the license is included in the section entitled "GNU Free Documentation License".

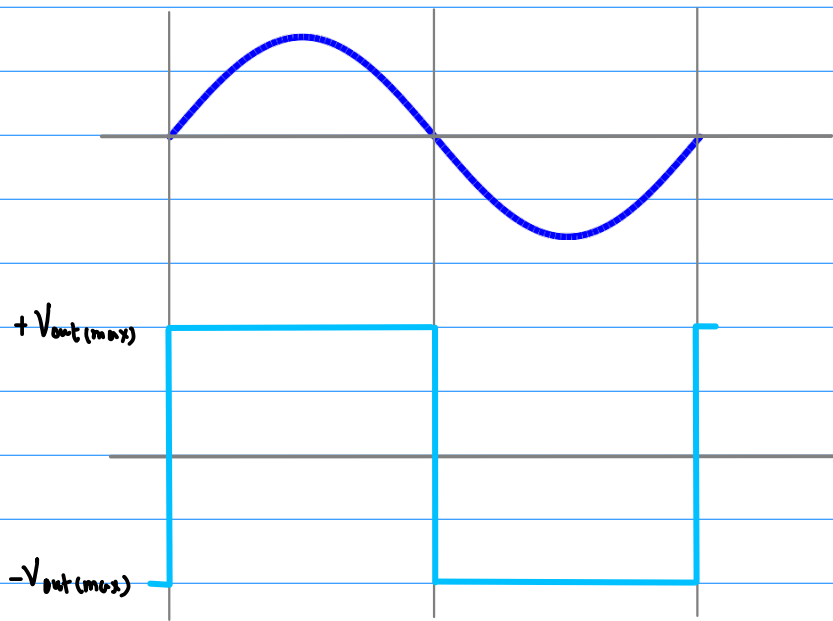
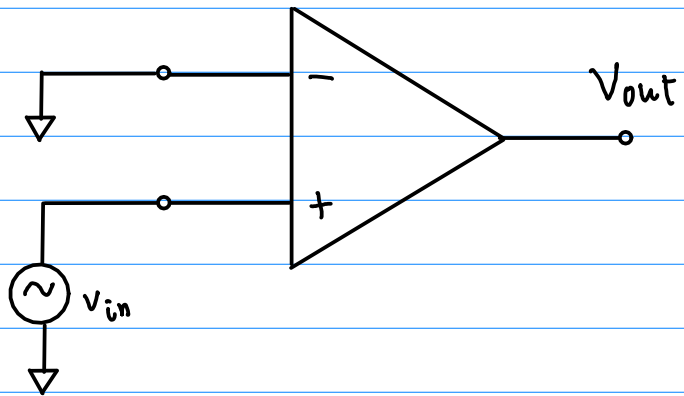
# References

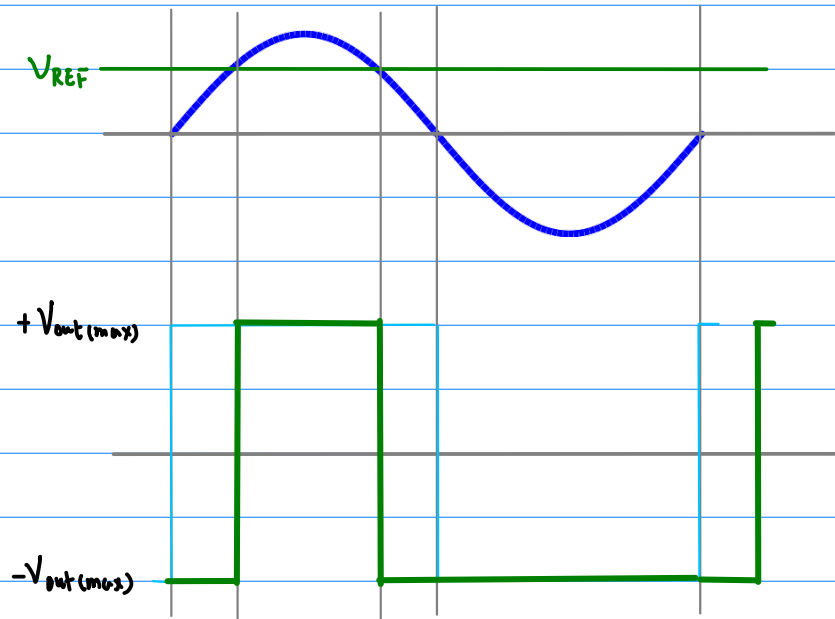
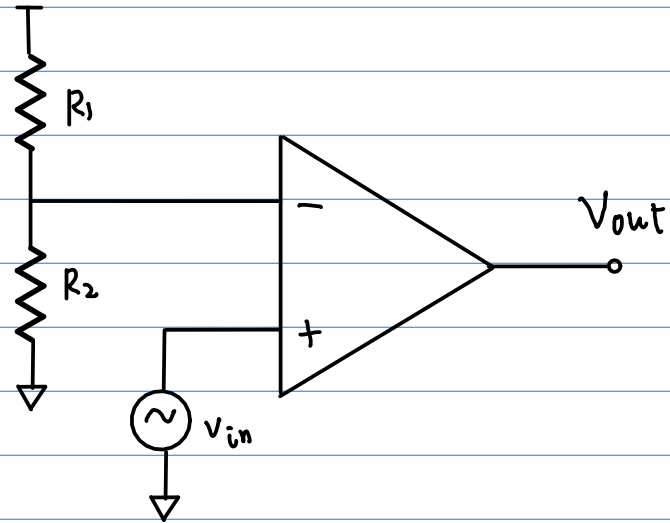
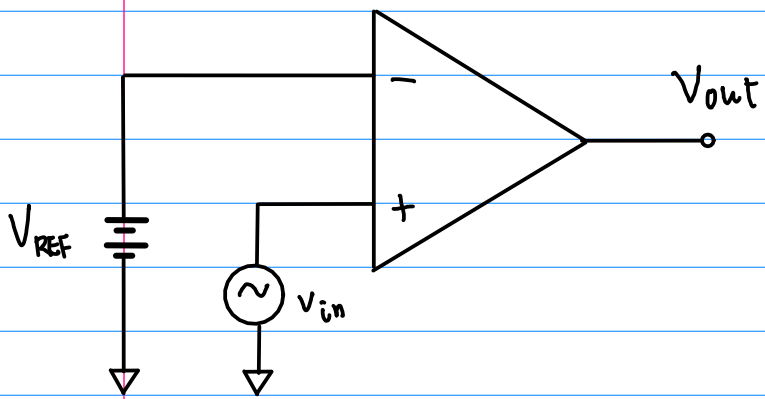
Based

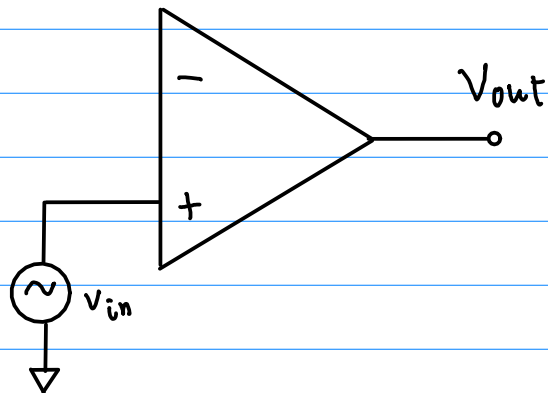
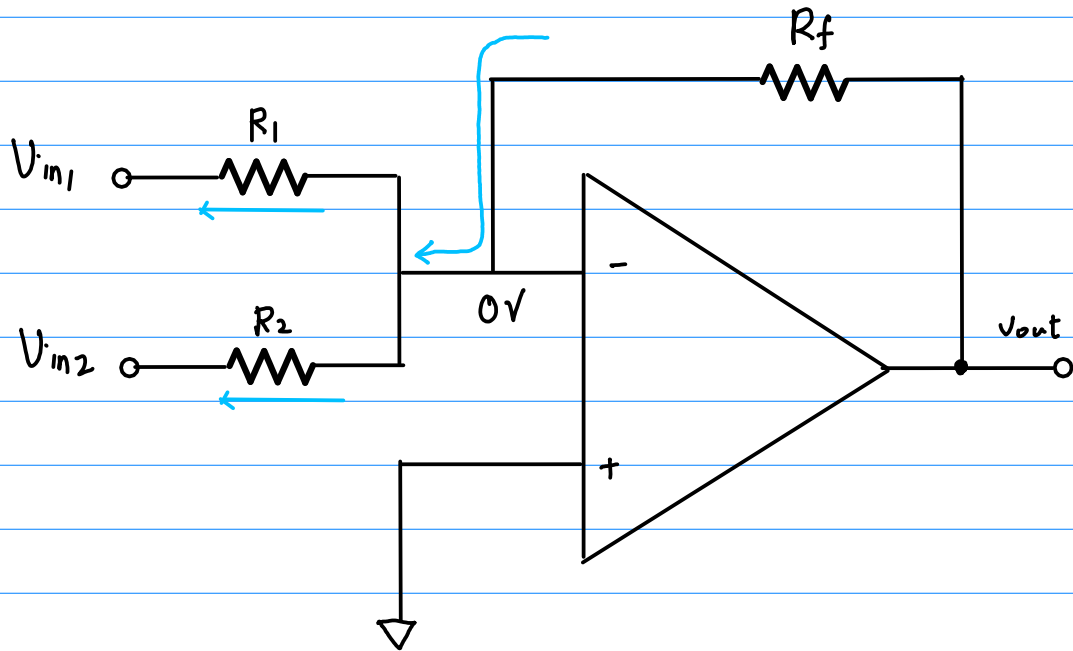
[1] Floyd, Electronic Devices 7th ed

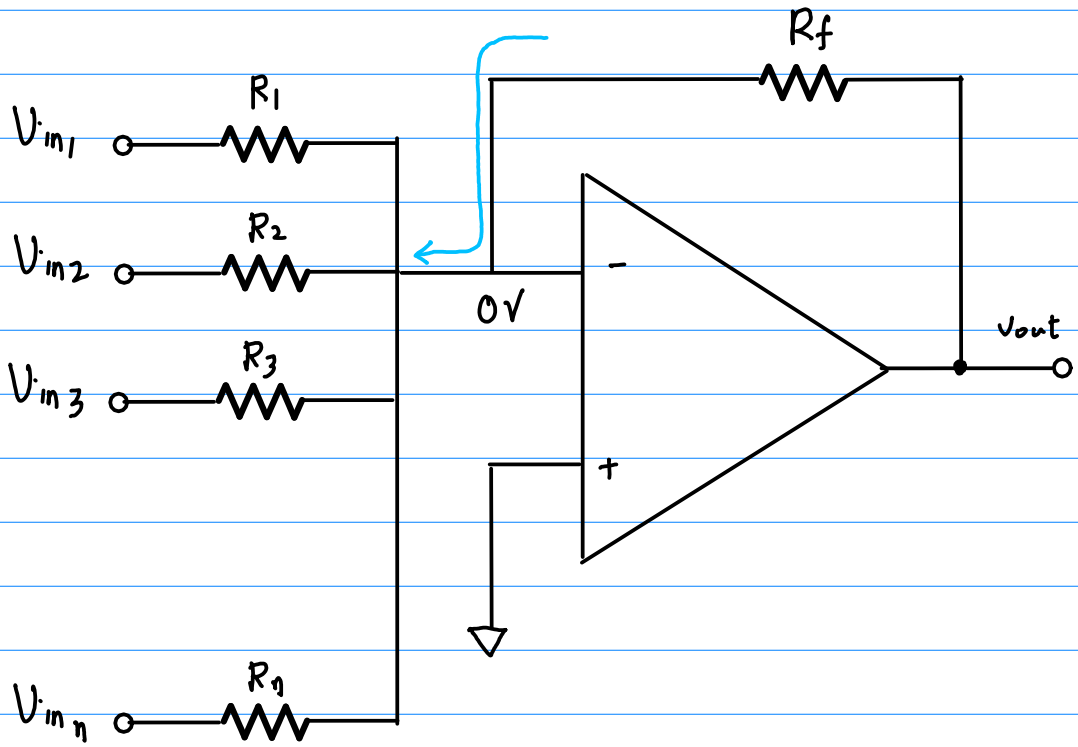
[2] Cook,

[2] [en.wikipedia.org](https://en.wikipedia.org)

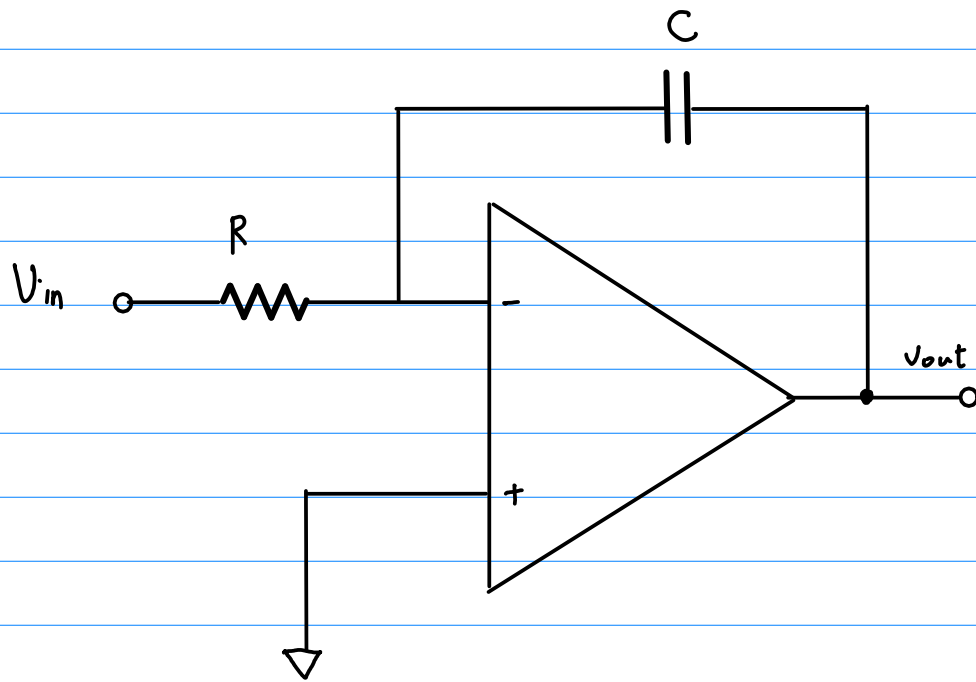


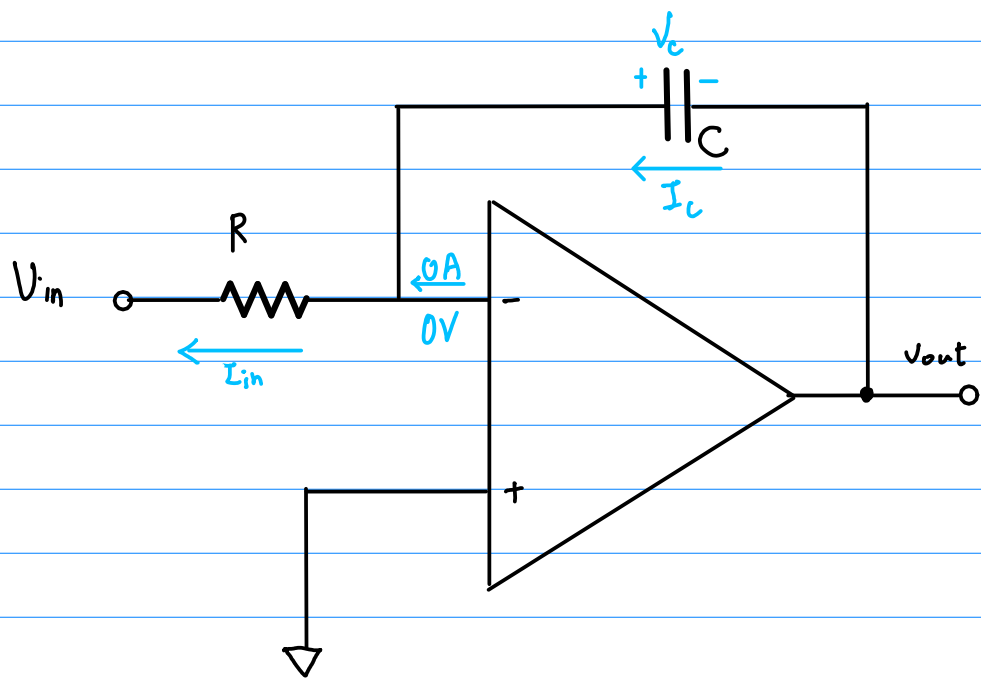




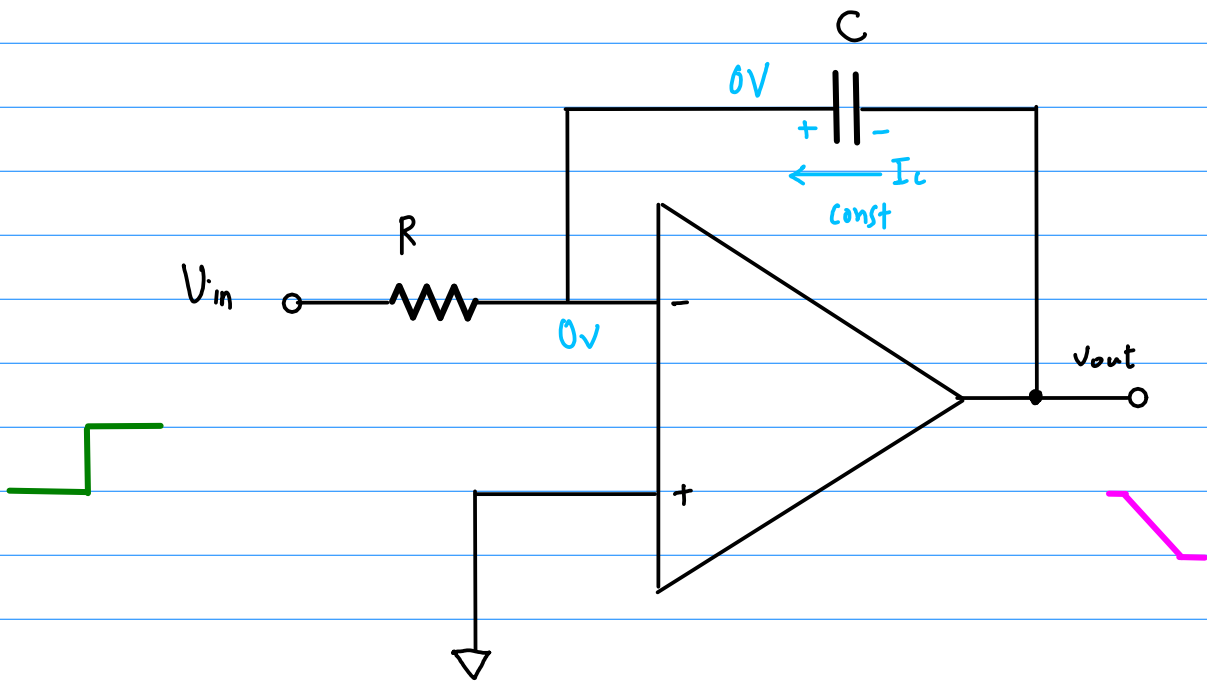
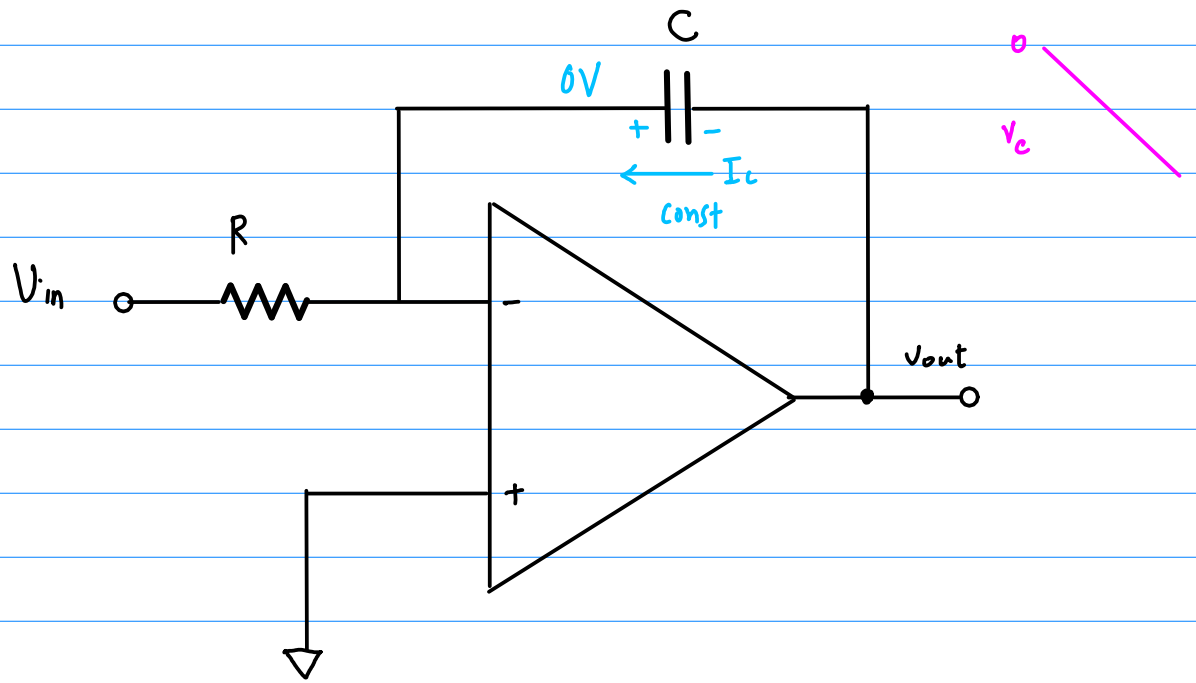


# Integrator

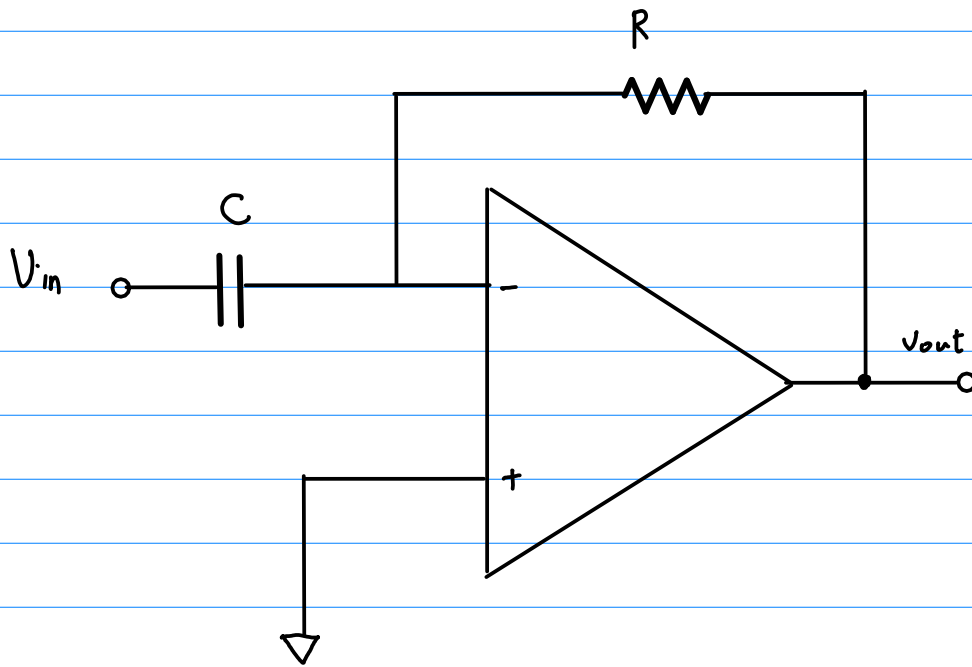


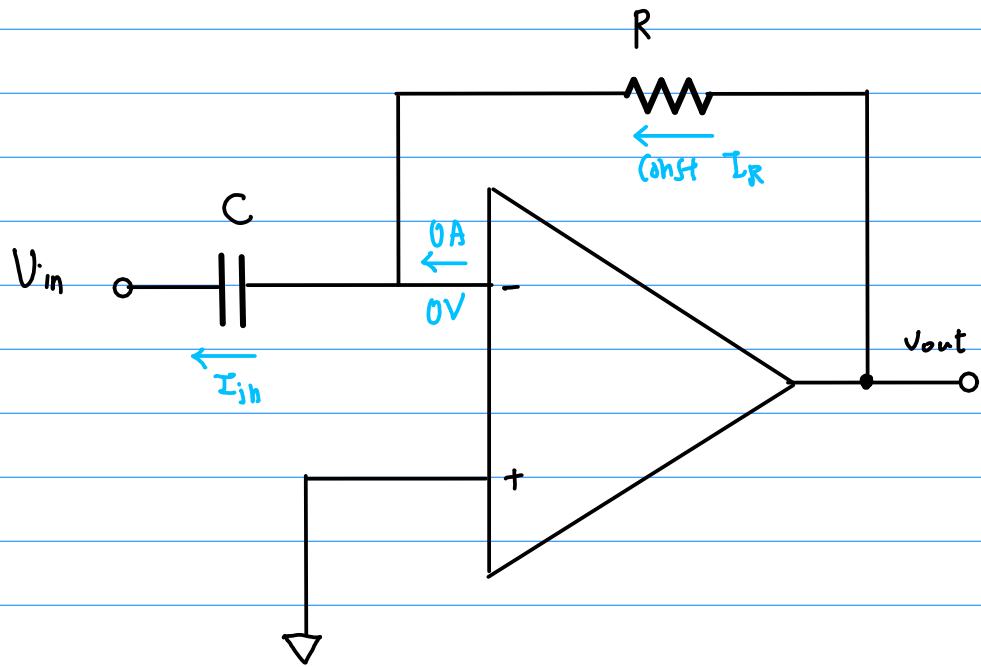




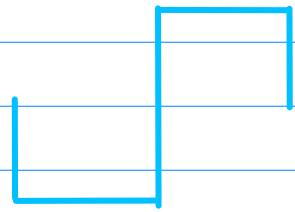
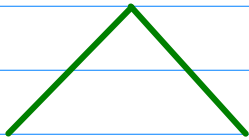
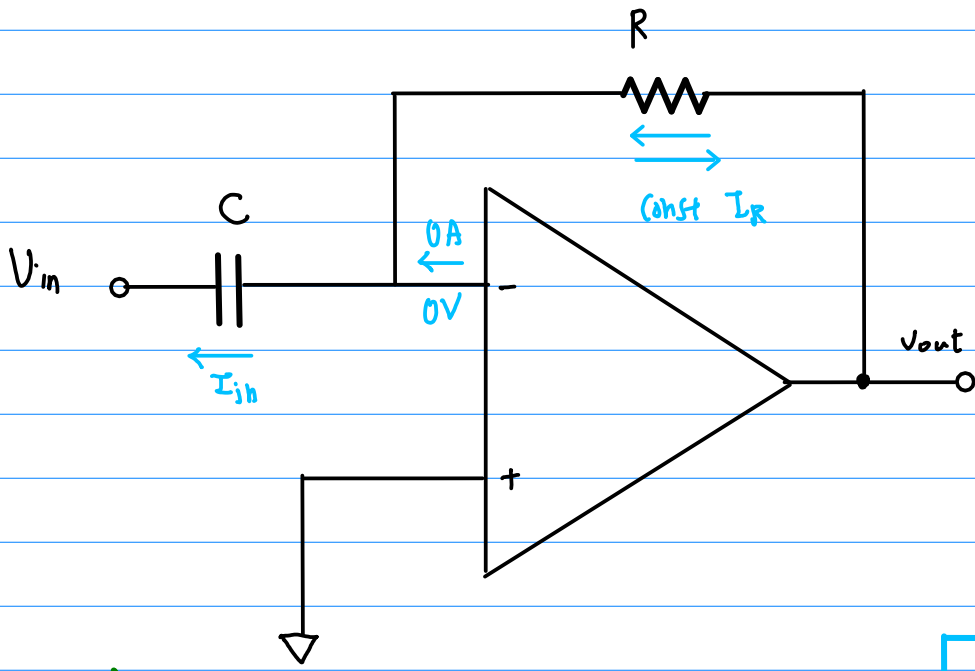


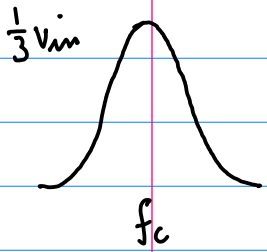
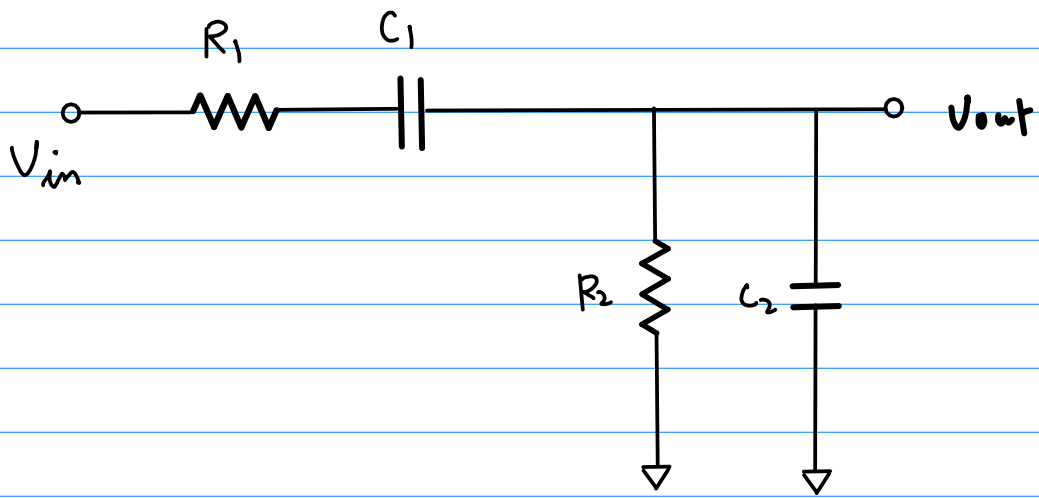
# Differentiator

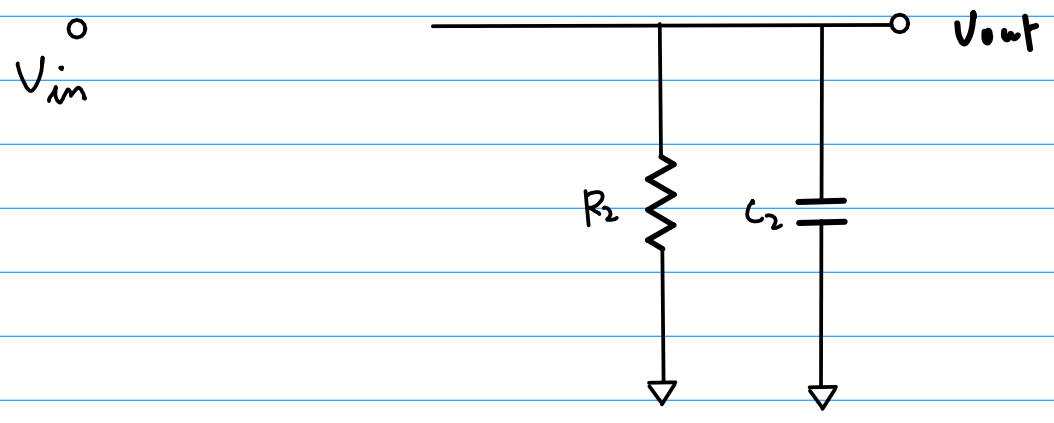
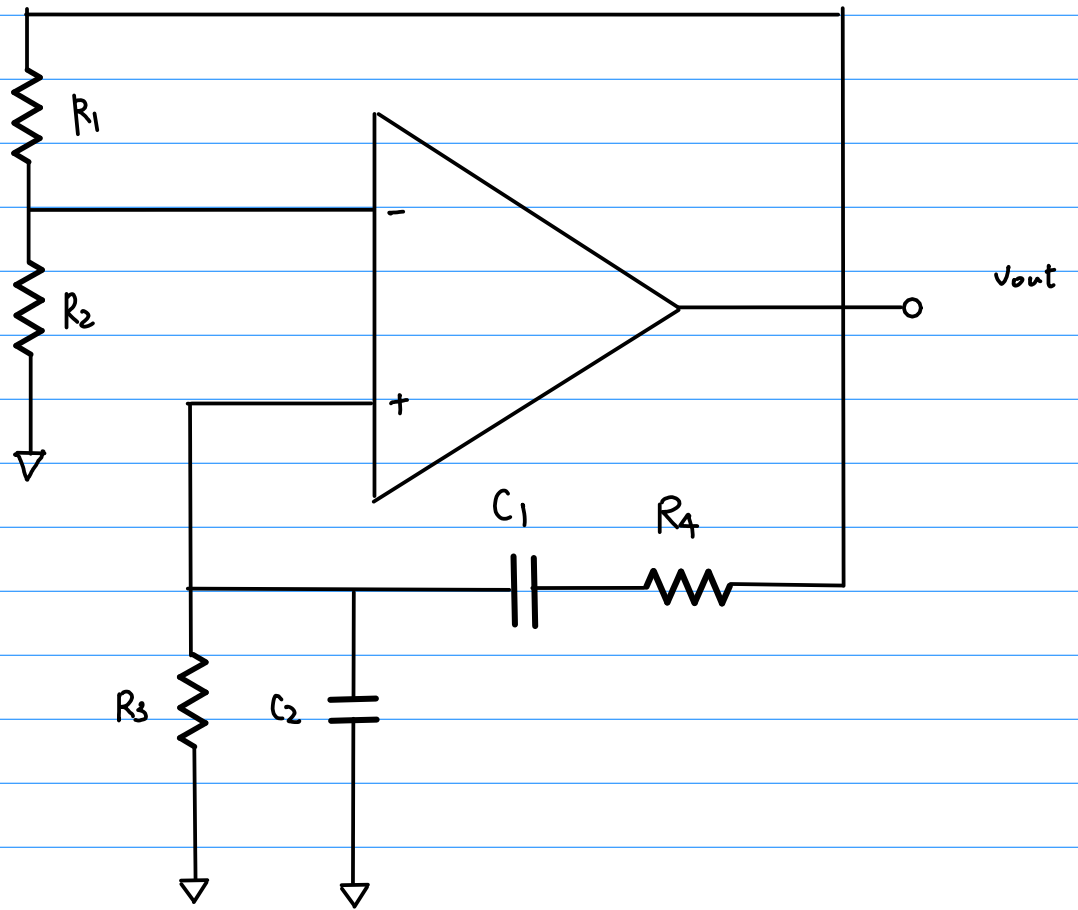


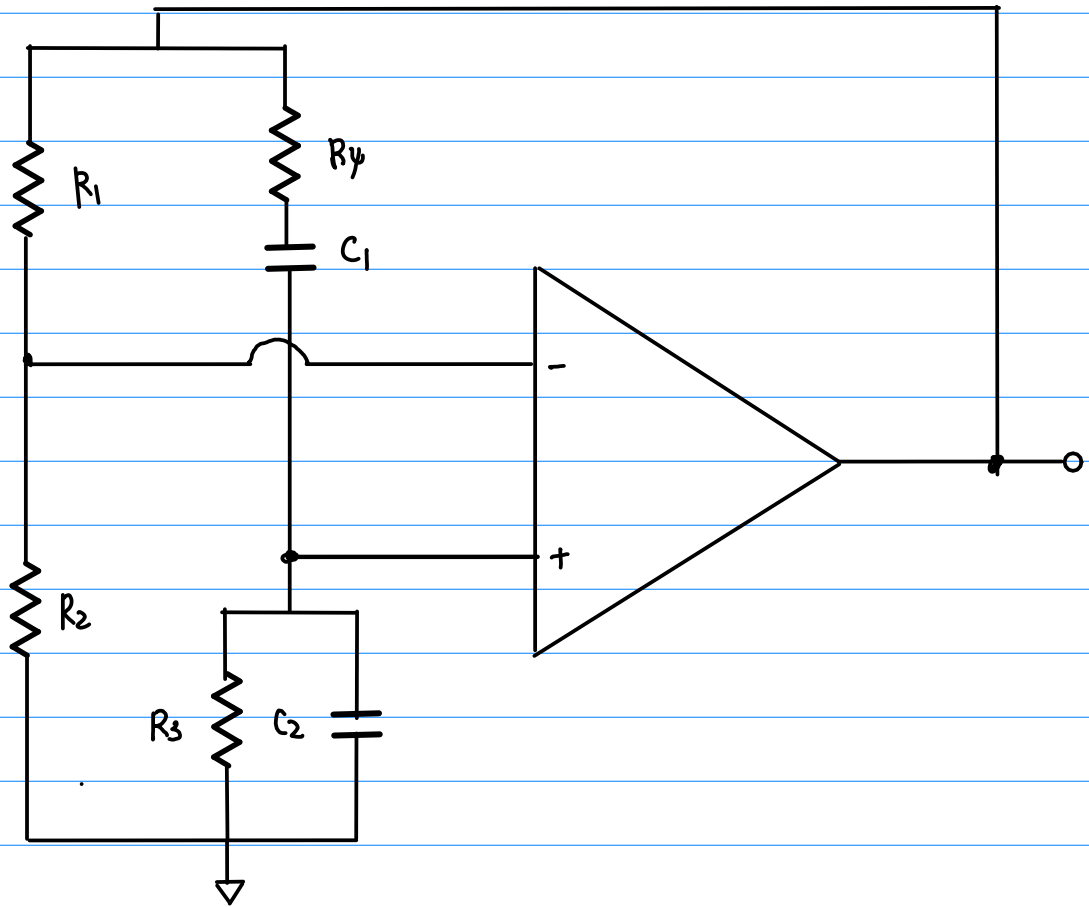


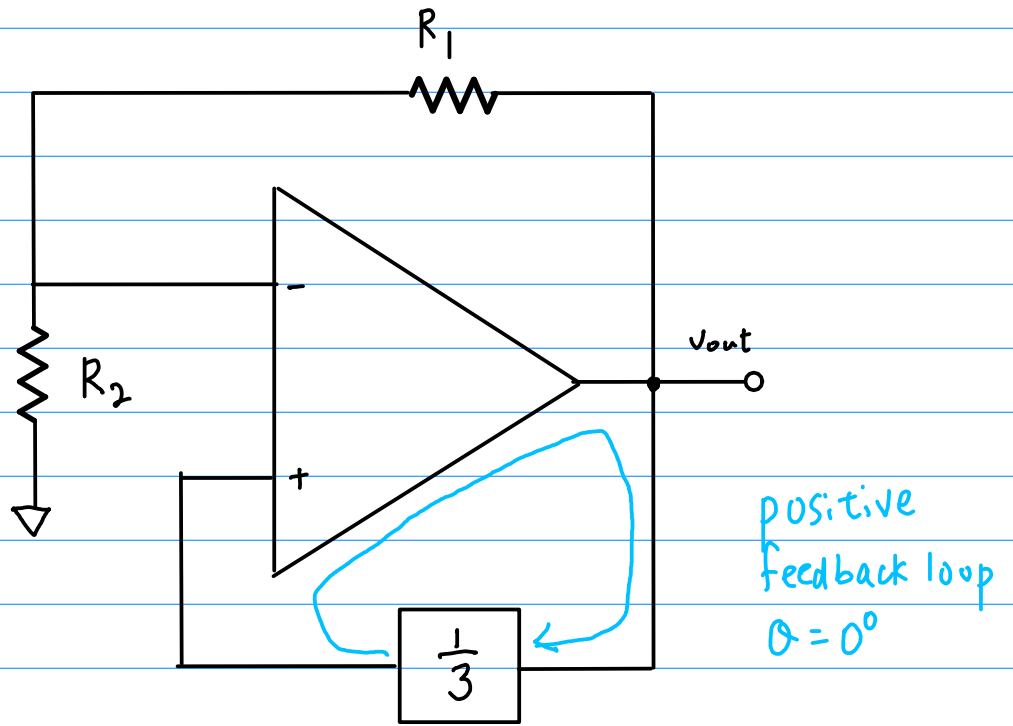
$V_{in}$   
0



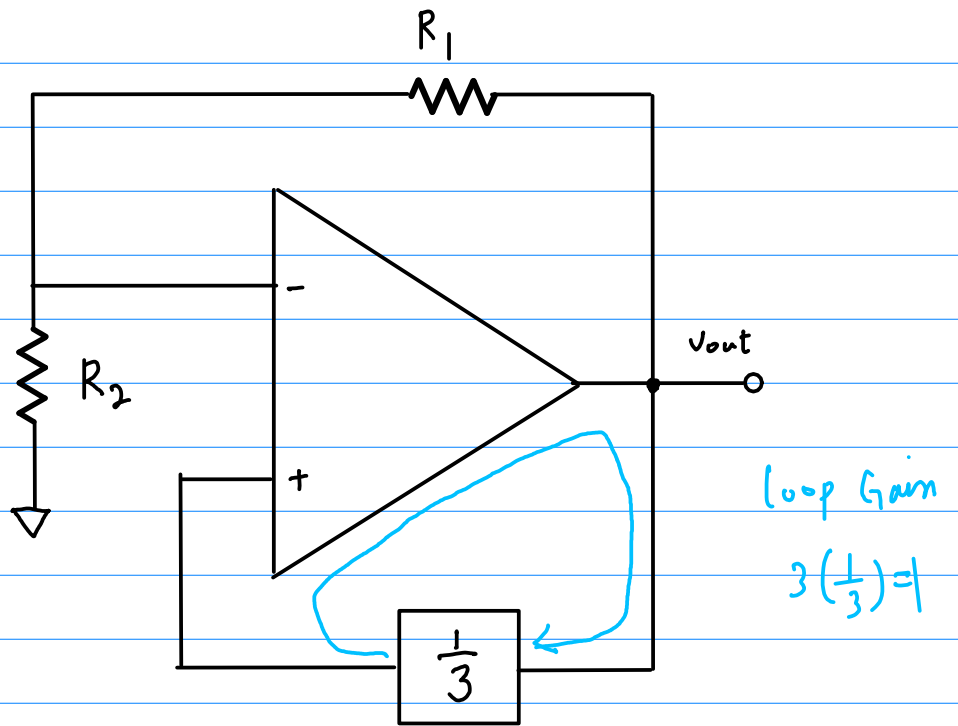








Lead-Lag



Lead-Lag



