

# DC Circuits

---

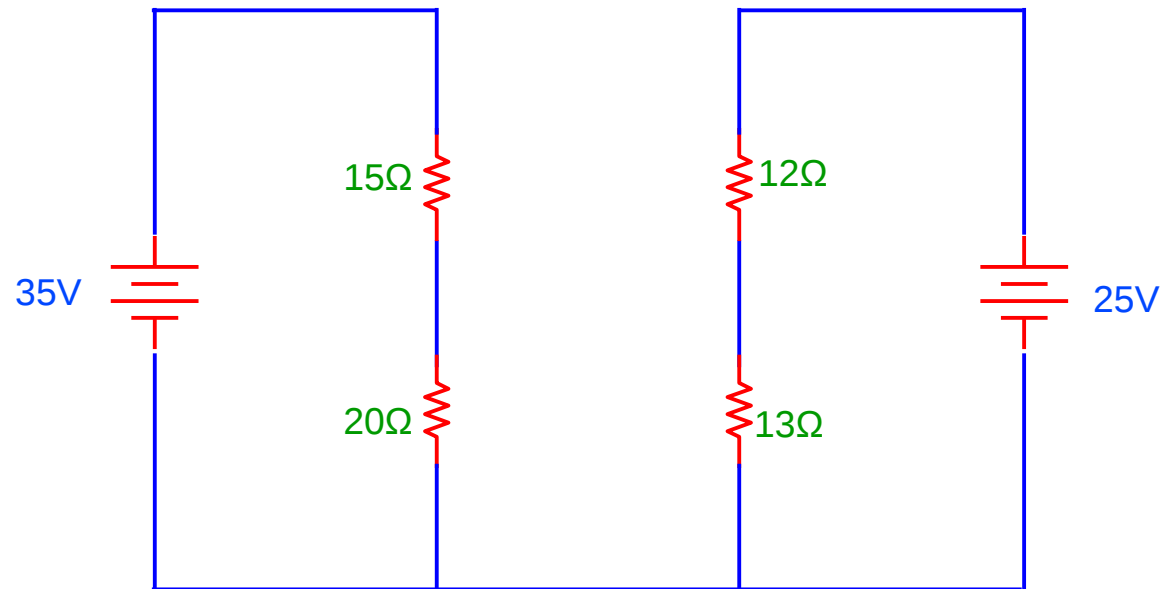
-

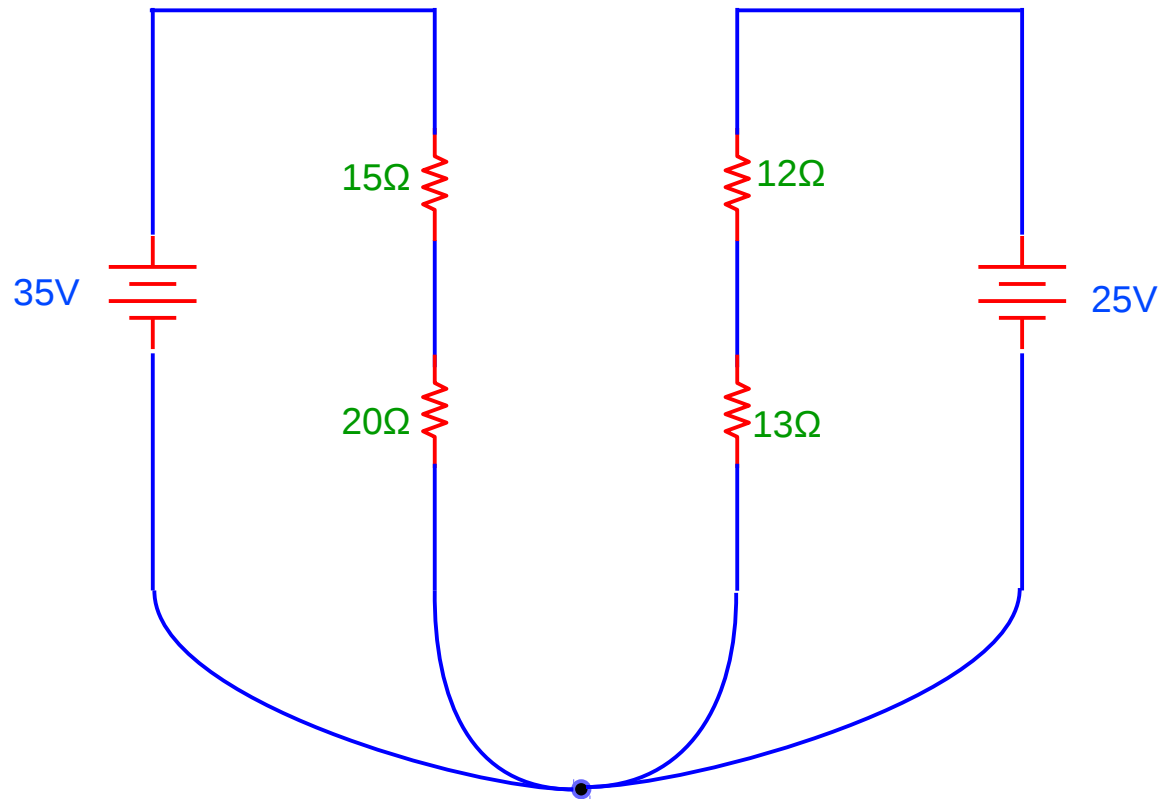
Copyright (c) 2015 Young W. Lim.

Permission is granted to copy, distribute and/or modify this document under the terms of the GNU Free Documentation License, Version 1.2 or any later version published by the Free Software Foundation; with no Invariant Sections, no Front-Cover Texts, and no Back-Cover Texts. A copy of the license is included in the section entitled "GNU Free Documentation License".

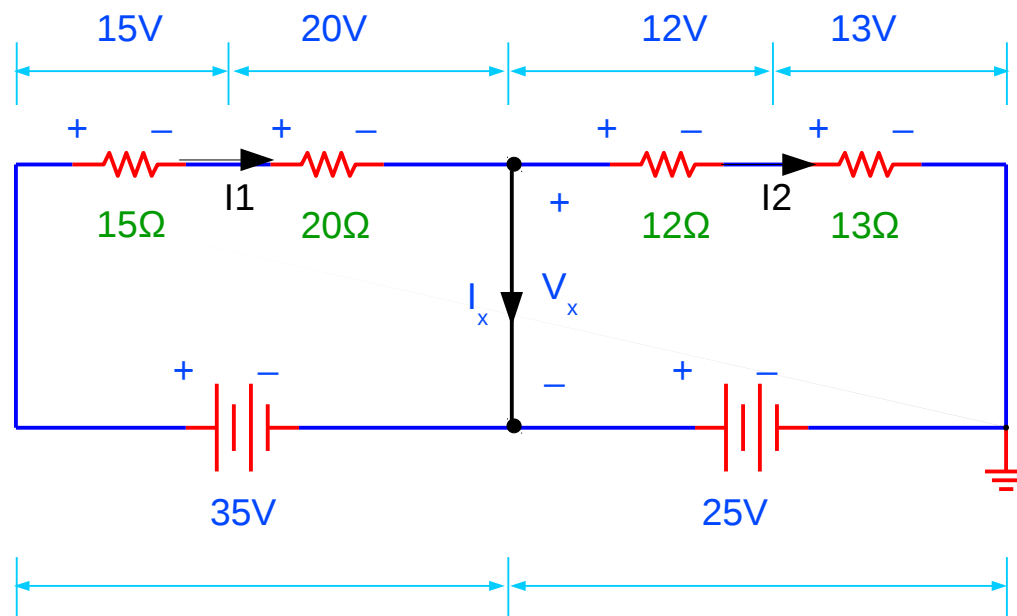
Please send corrections (or suggestions) to [youngwlim@hotmail.com](mailto:youngwlim@hotmail.com).

This document was produced by using OpenOffice and Octave.

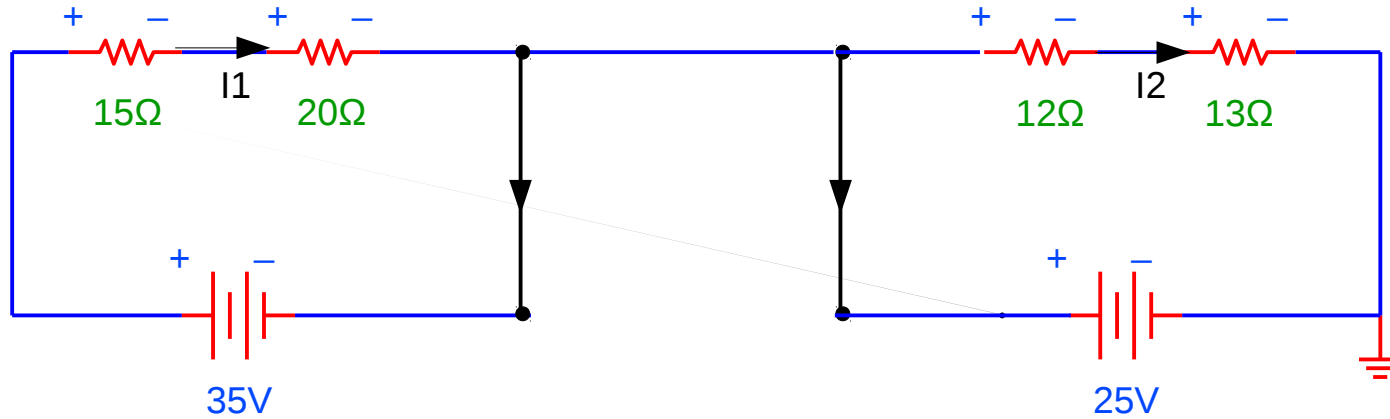
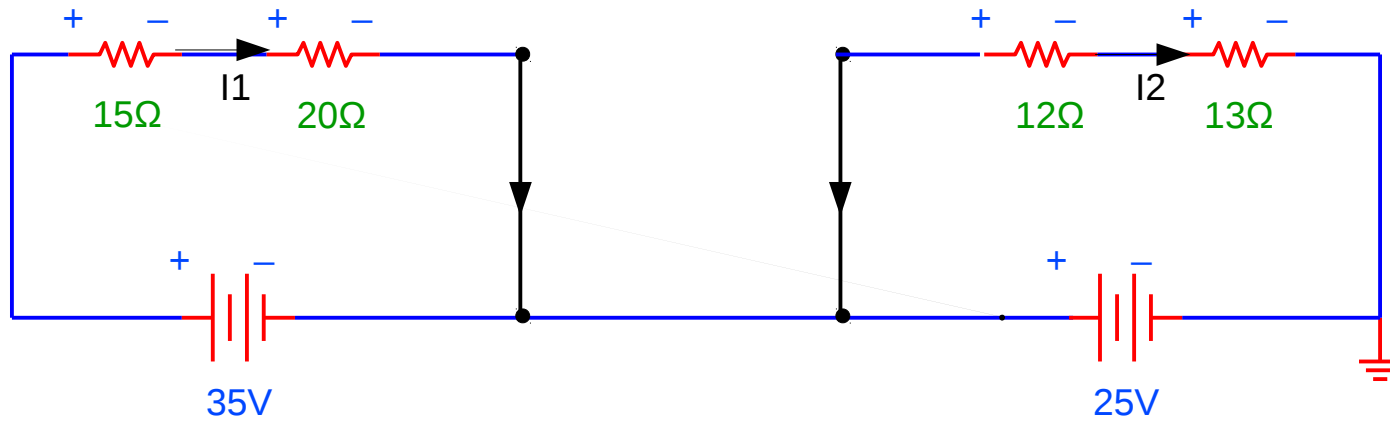




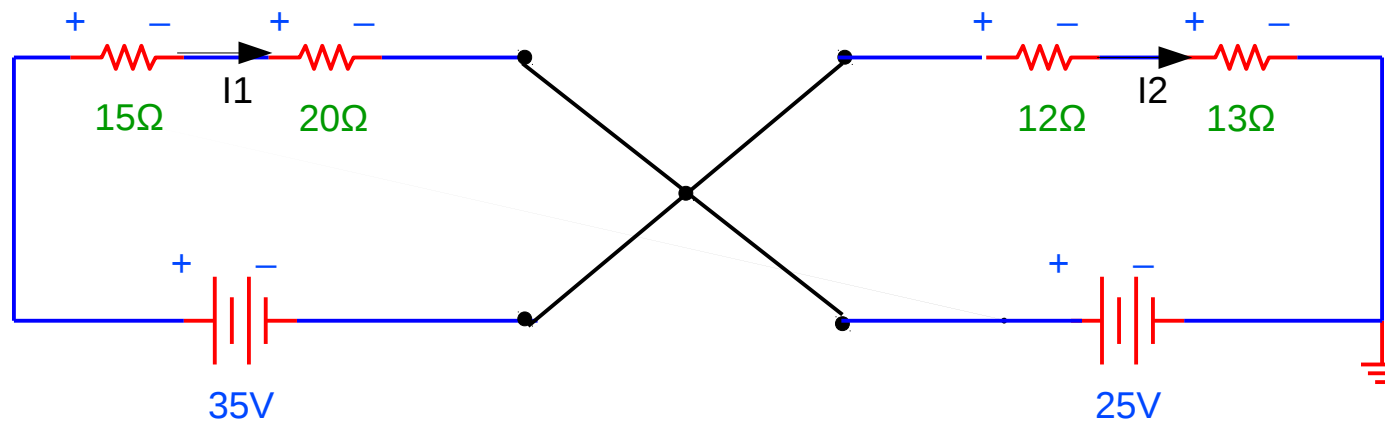
# $V_x$ , $I_x$ , $I_1$ , $I_2$



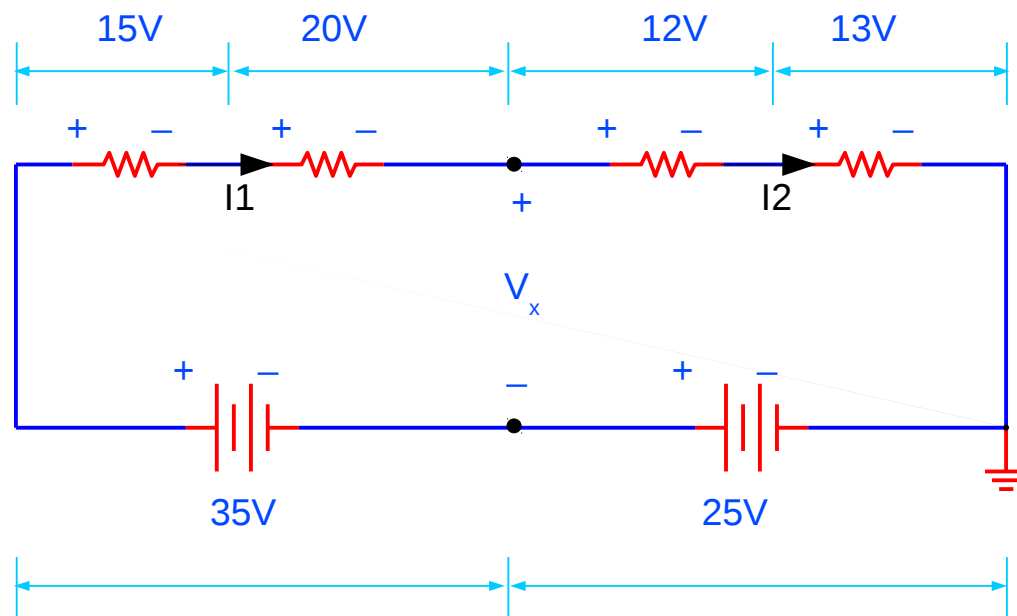
# $V_x$ , $I_x$ , $I_1$ , $I_2$



# $V_x$ , $I_x$ , $I_1$ , $I_2$

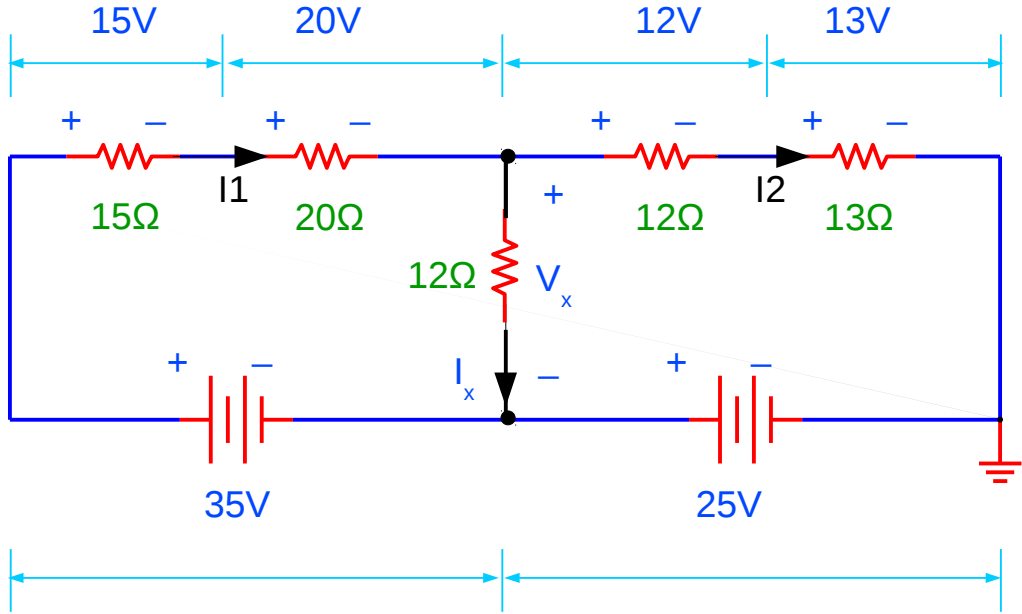


# $V_x$ , $I_1$ , $I_2$

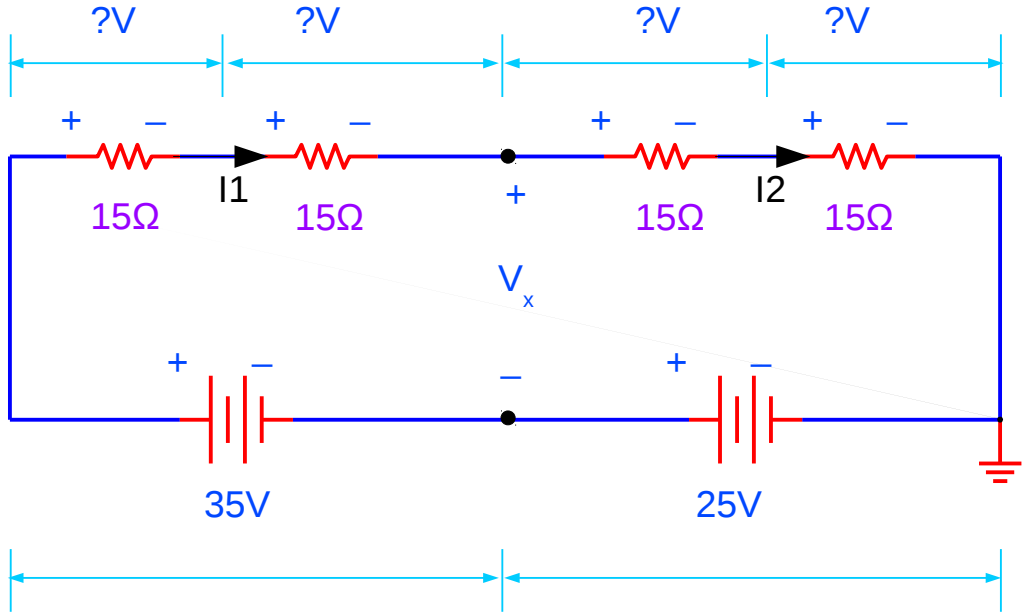




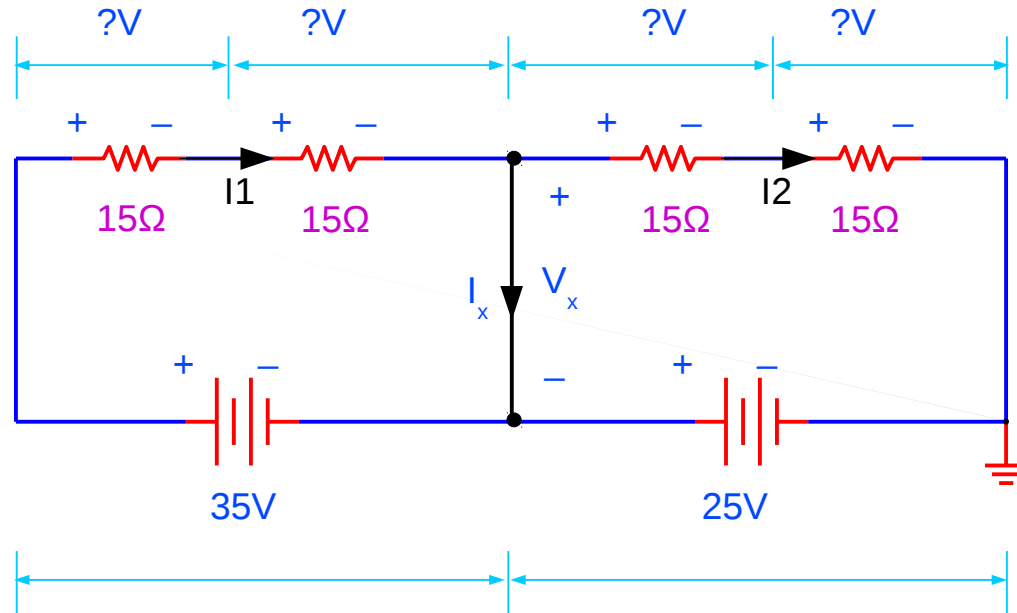
# $V_x, I_x, I_1, I_2$



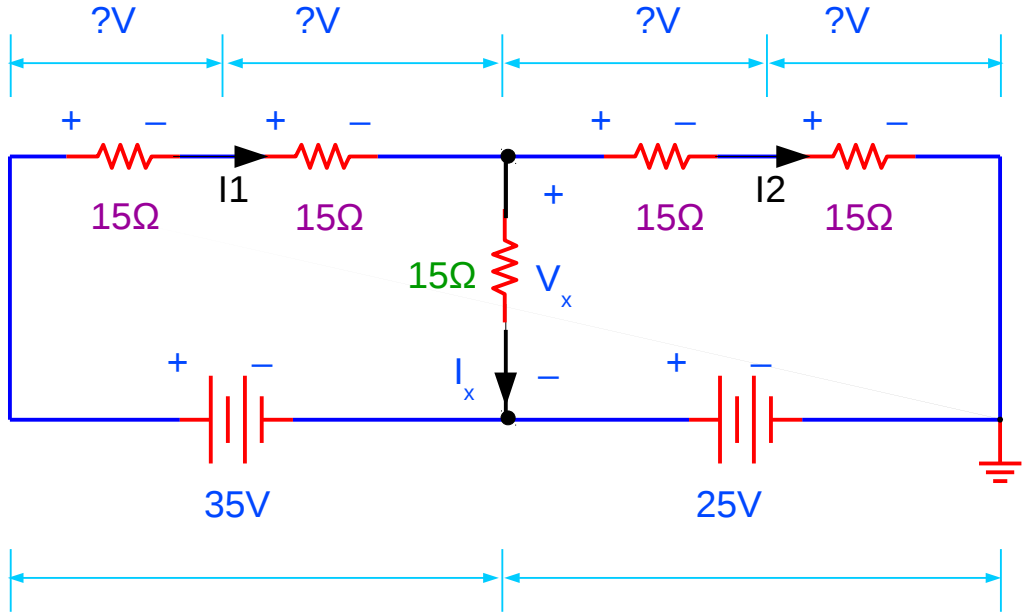
# $V_x, I_1, I_2$

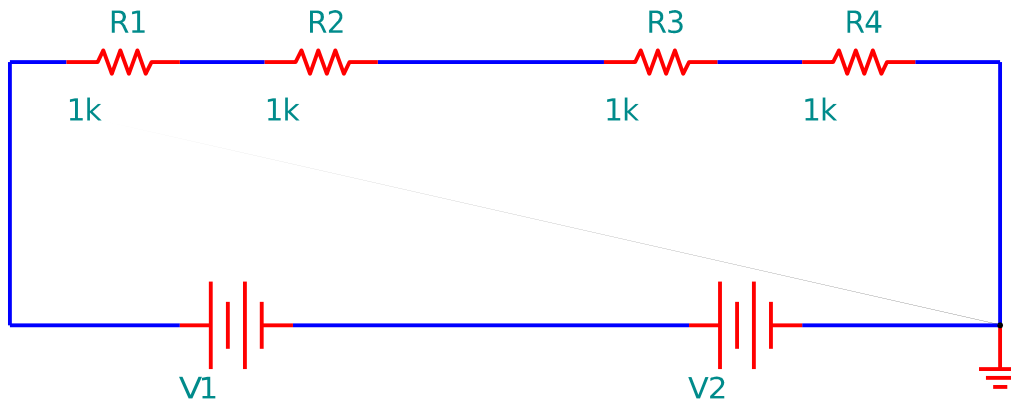


# $V_x$ , $I_x$ , $I_1$ , $I_2$



# $V_x, I_x, I_1, I_2$







## References

- [1] <http://en.wikipedia.org/>
- [2] [www.allaboutcircuits.com](http://www.allaboutcircuits.com)
- [3]