

Voltage Divider Biased BJT Amplifier Topologies (H.17)

20170531

Copyright (c) 2016 - 2017 Young W. Lim.

Permission is granted to copy, distribute and/or modify this document under the terms of the GNU Free Documentation License, Version 1.2 or any later version published by the Free Software Foundation; with no Invariant Sections, no Front-Cover Texts, and no Back-Cover Texts. A copy of the license is included in the section entitled "GNU Free Documentation License".

References

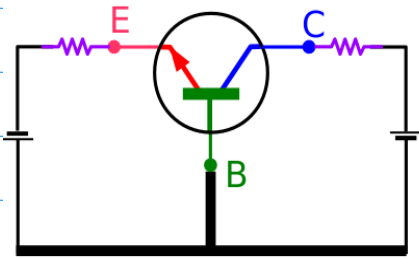
Based

[1] Floyd, Electronic Devices 7th ed

[2] Cook,

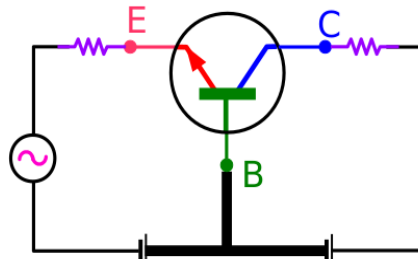
[2] en.wikipedia.org

Common Base Configuration



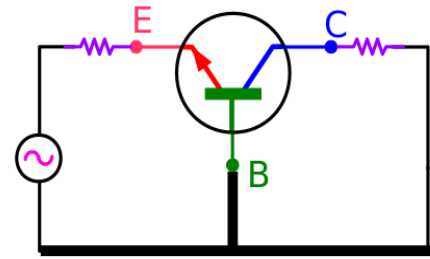
Common Base

DC Bias



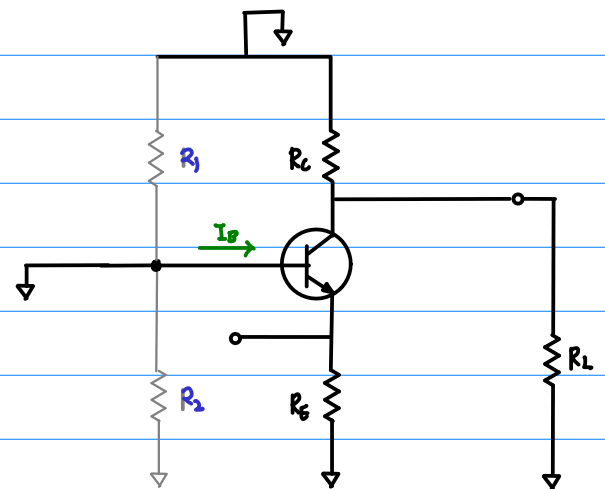
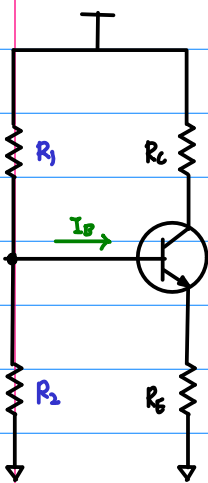
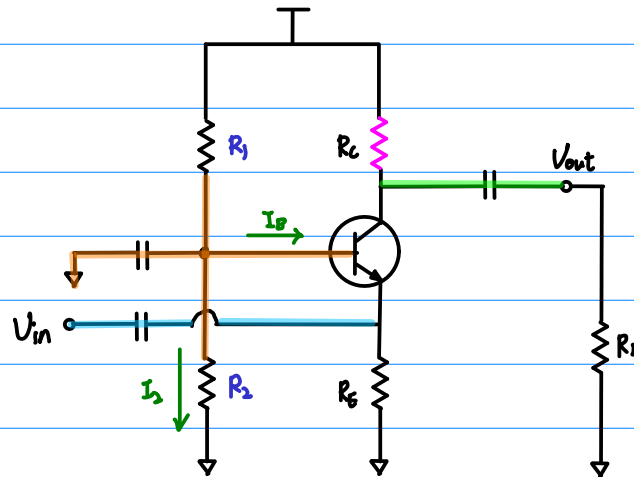
Common Base

DC Bias + AC Signal

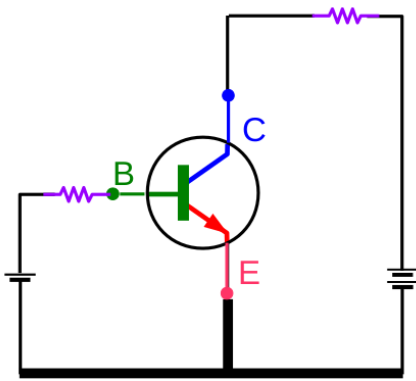


Common Base

AC Signal

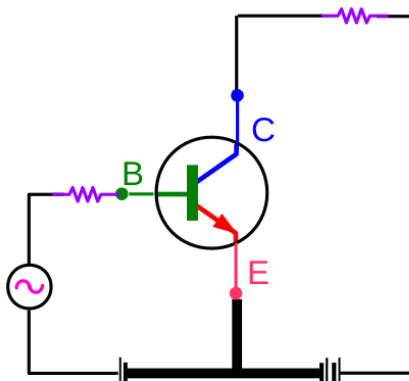


Common Emitter Configuration



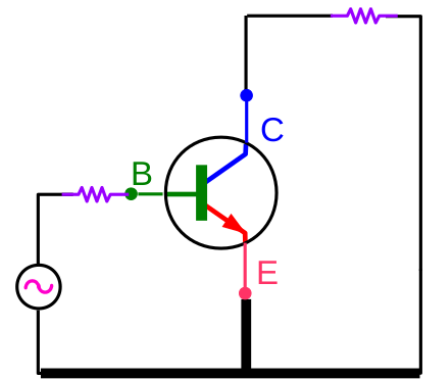
Common Emitter

DC Bias



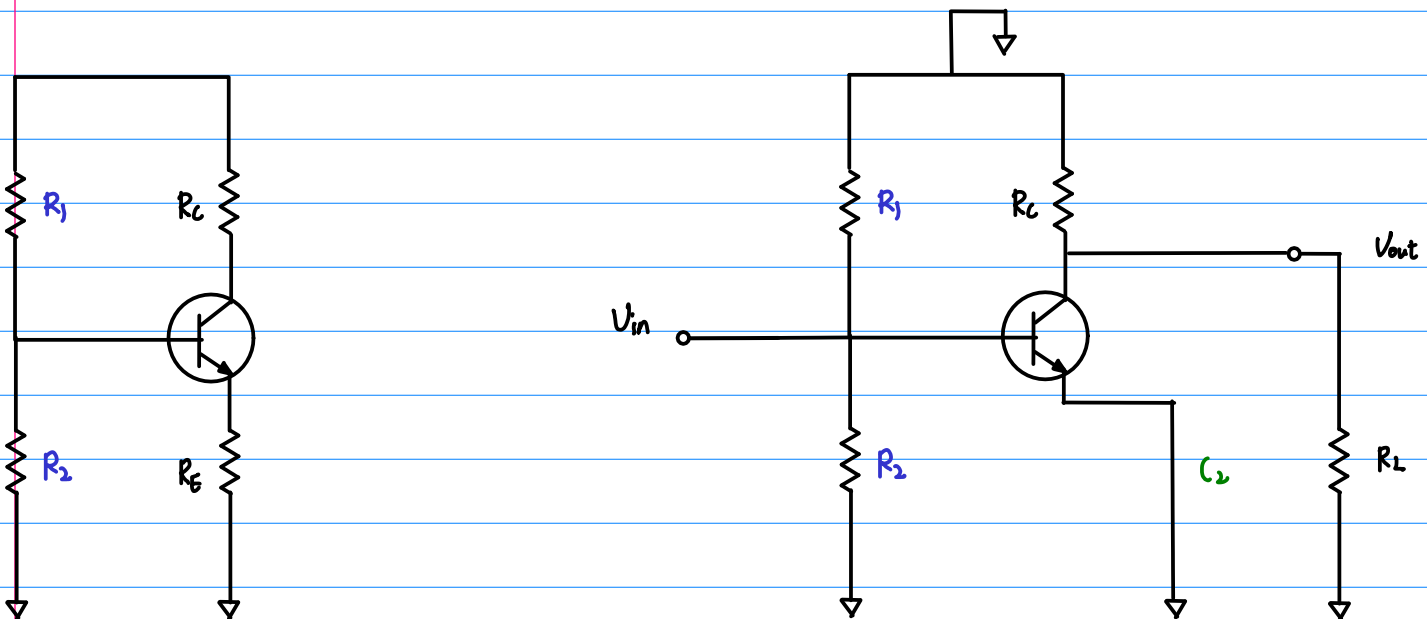
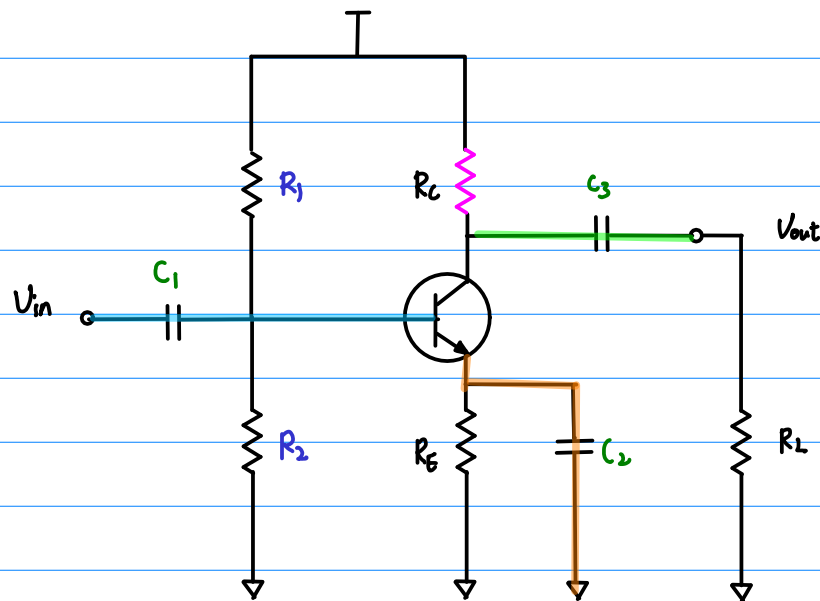
Common Emitter

DC Bias + AC Signal

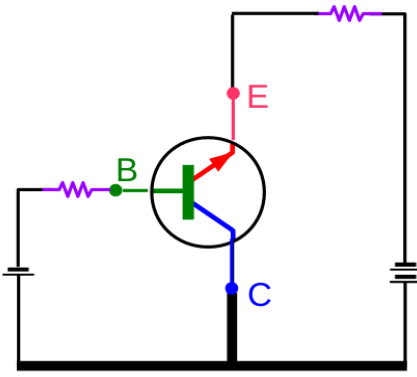


Common Emitter

AC Signal

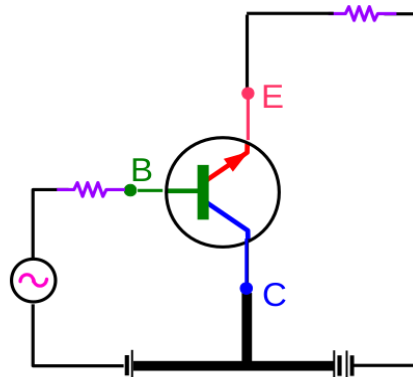


Common Collector Configuration



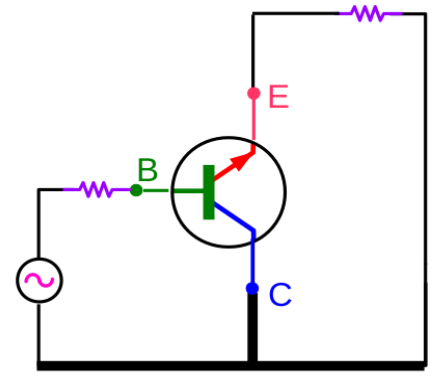
Common Collector

DC Bias



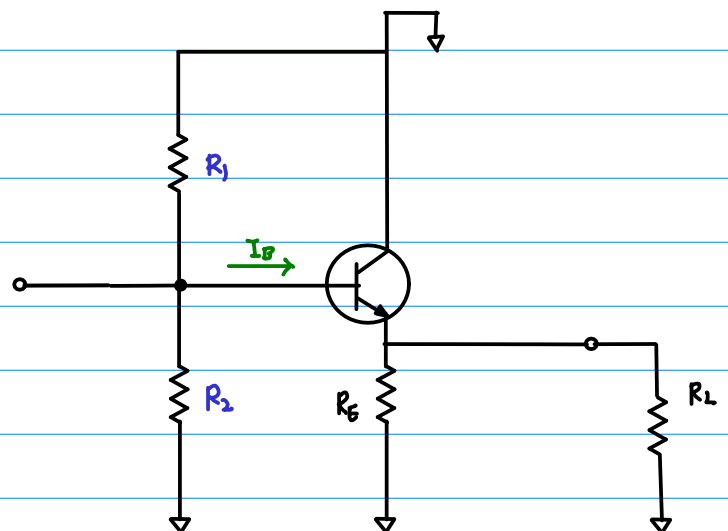
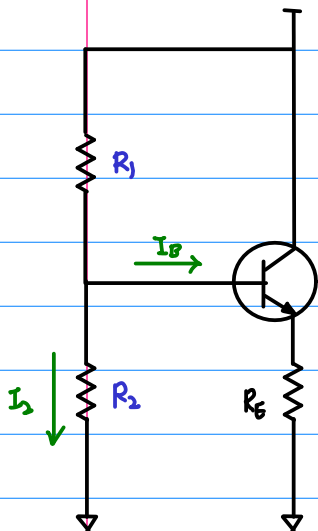
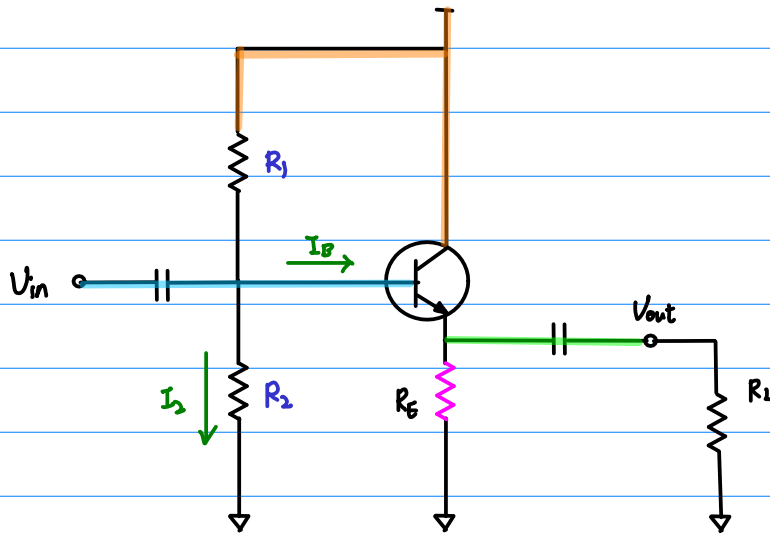
Common Collector

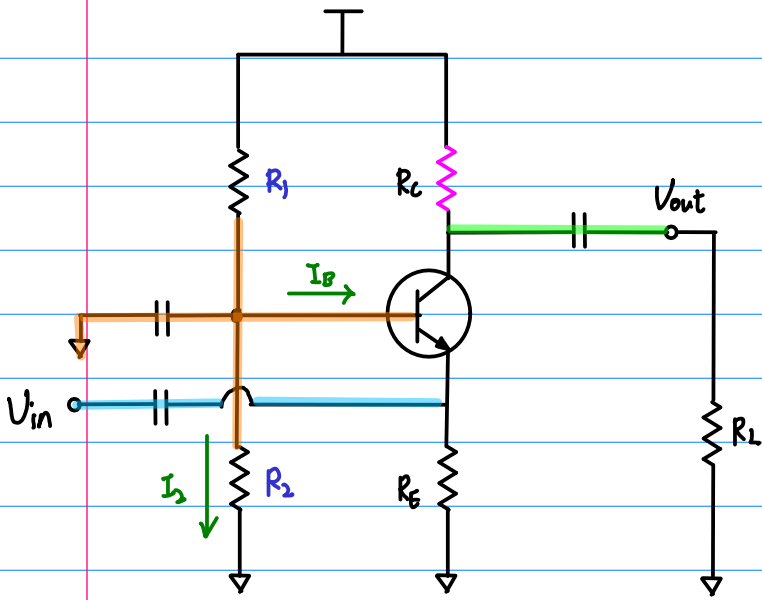
DC Bias + AC Signal



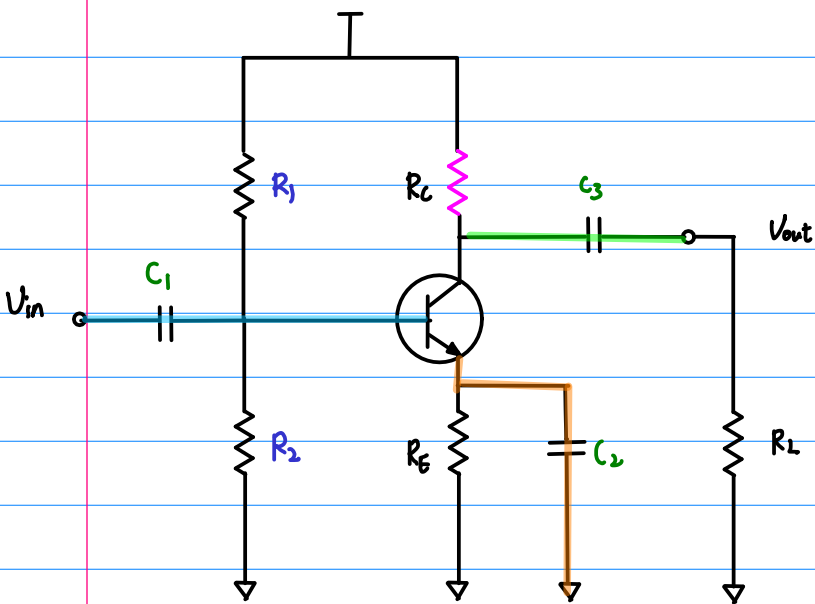
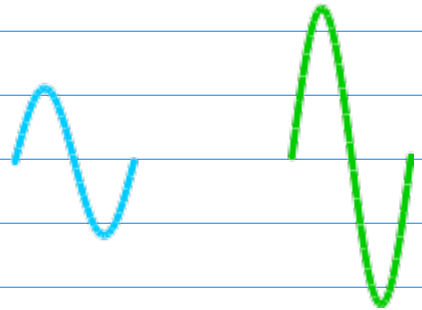
Common Collector

AC Signal

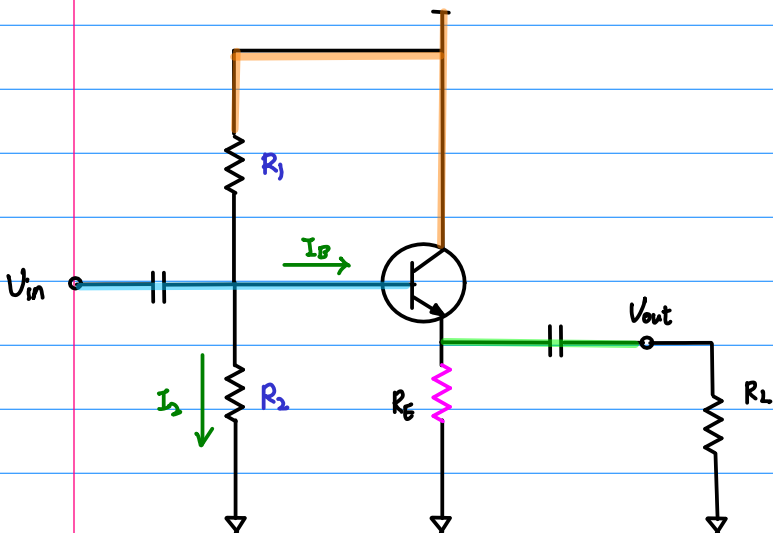
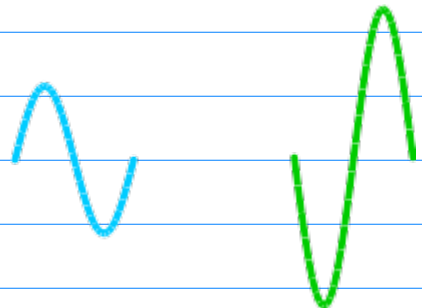




Common Base



Common Emitter



Common Collector

